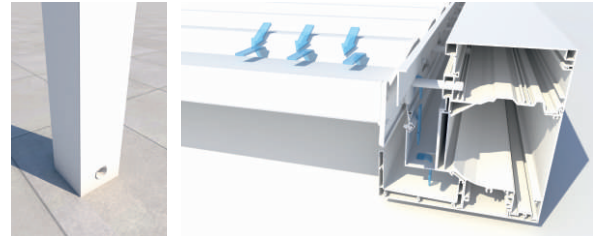




Technic Pro

- product card

This is a new version of the flagship roofing which is Tarasola Technic. Thanks to the introduced changes it is much more functional and visually attractive. The reduction of screw connections to a minimum gives the roof a modern character and makes it pleasing to the eye. A distinctive feature, which undoubtedly influences usability and design, is the integrated roller blind system inside the canopy frame. As a result, the structure has gained a minimalist, cubic form. Moreover, thanks to the application of this solution, equipping the canopy with both screen and glazing roller blinds looks much more elegant, as it does not require the presence of a separate ZIP cassette protruding outside the construction. The introduced modifications significantly increase the comfort of use and make the roofing more resistant to changes in weather conditions. As a result, Tarasola Technic Pro is an almost year-round structure, whose assembly is easier than the current model - Tarasola Technic.



SPECIFICATION

- The structure is made of extruded powder-coated aluminum and stainless steel.
- Electric motor control included in the price.
- Extensive drainage system as standard.
- Possibility of powder coating in any RAL colour.
- Louvres rotate from 0° to 135°.
- Option of modular connection.
- Option of additional accessories:
 - lighting - LED spotlights and tubes in the louvres or LED strips integrated into the gutters,
 - glazing,
 - Screener shading blinds integrated into the structure,
 - shutters,
 - infrared heaters,
 - audio system,
 - wind, rain and temperature sensors.



Infrared heaters



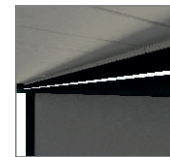
LED lighting
- spotlights



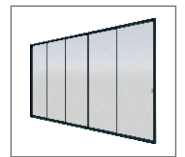
LED lighting
- tubes 3x12,5 cm
in louvres



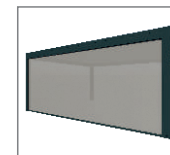
LED lighting
- tubes 1x50 cm
in louvres



LED lighting - LED strip
lights, integrated with
the gutter



Glazing



Screener ZIP
(shading blind integrated
into the structure)



Shutters



COLOURS

CONSTRUCTION



9010ST
Colour cream-white
similar to RAL9010



9007ST
Colour grey aluminium
similar to RAL9007



7016ST
Colour anthracite-metallic
similar to RAL7016

ADDITIONAL COLOURS



Any colour from the
RAL palette



Wood-like varnish

LOUVRES



9010ST
Colour cream-white
similar to RAL9010



9010
Colour cream-white
similar to RAL9010



9007ST
Colour grey aluminium
similar to RAL9007



7016ST
Colour anthracite-metallic
similar to RAL7016

ADDITIONAL COLOURS



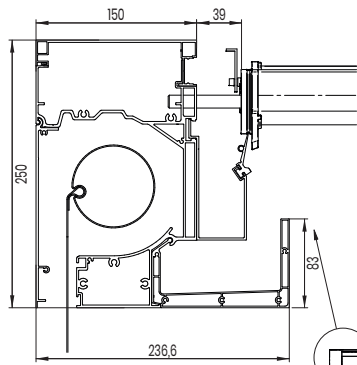
Any colour from the
RAL palette



Wood-like varnish

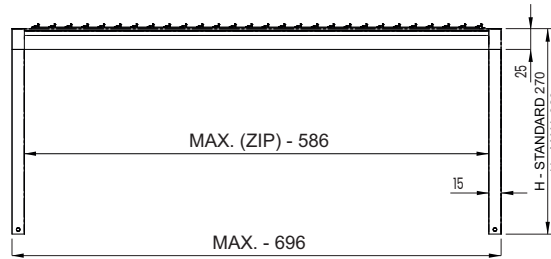
The Machinery Directive 2006/42/EC of the EU Parliament and of the Council,
PN - EN 13561 + A1: 2010 EXTERNAL BLINDS - operational requirements
Regulation of the construction products; CPR 305/2011; EUROCODE

GUIDE RAIL CROSS-SECTION WITH INTEGRATED ZIP

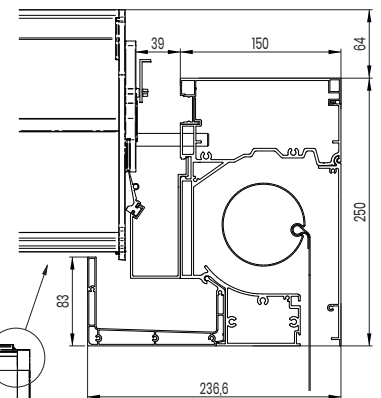


Louvres in close position

PROJECTION (cm)

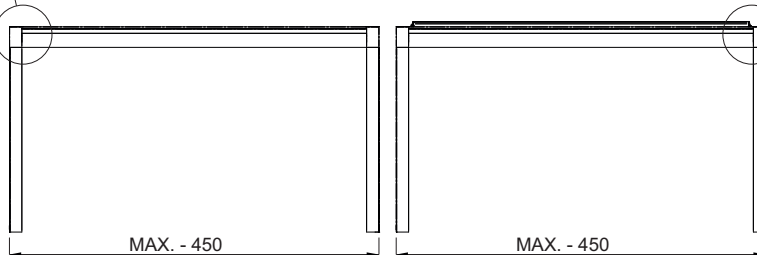


GUIDE RAIL CROSS-SECTION WITH INTEGRATED ZIP

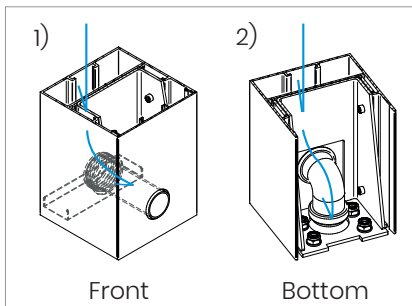


Louvres in open position

WIDTH (cm)



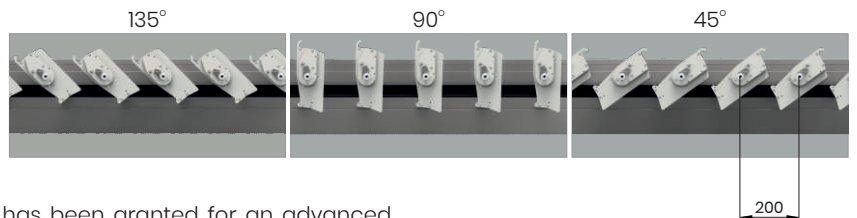
WATER DRAINAGE ▾



Front

Bottom

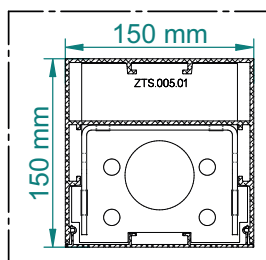
LOUVRES ROTATION ▾



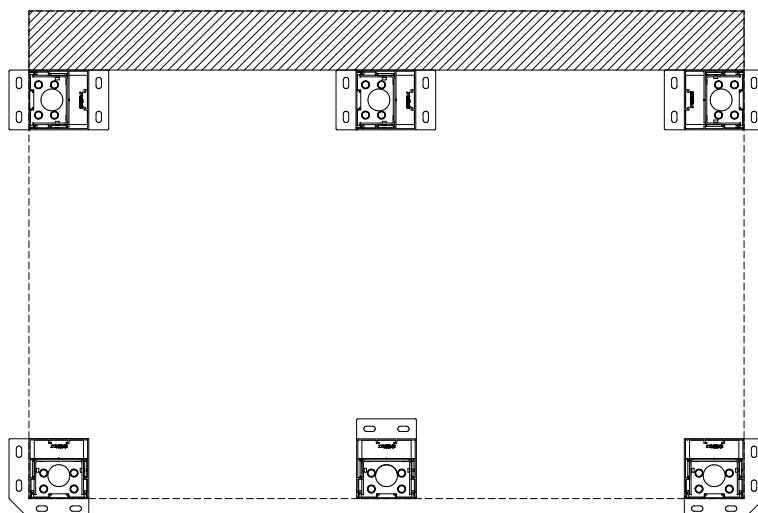
This patent has been granted for an advanced water drainage system which reduces splashing of drops, thus preventing them from falling under the roof.

LOUVRES SPACING (mm) ^

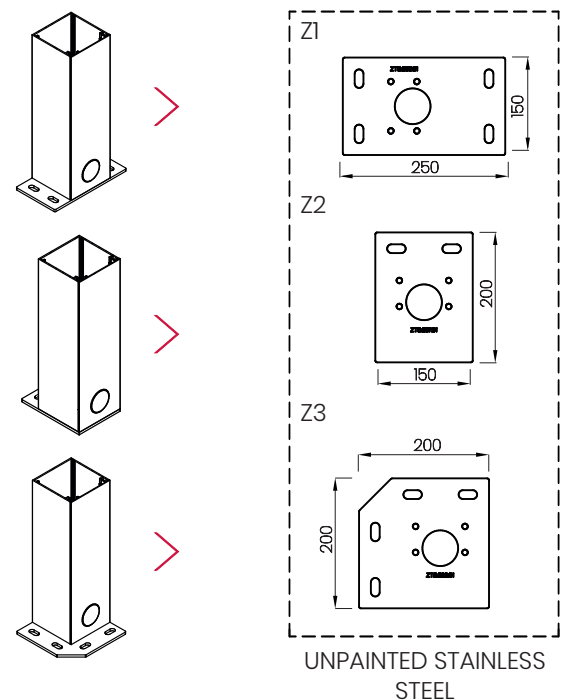
FIXING PLATE - INTERNAL - STANDARD



LAYOUT EXAMPLES



FIXING PLATE - EXTERNAL



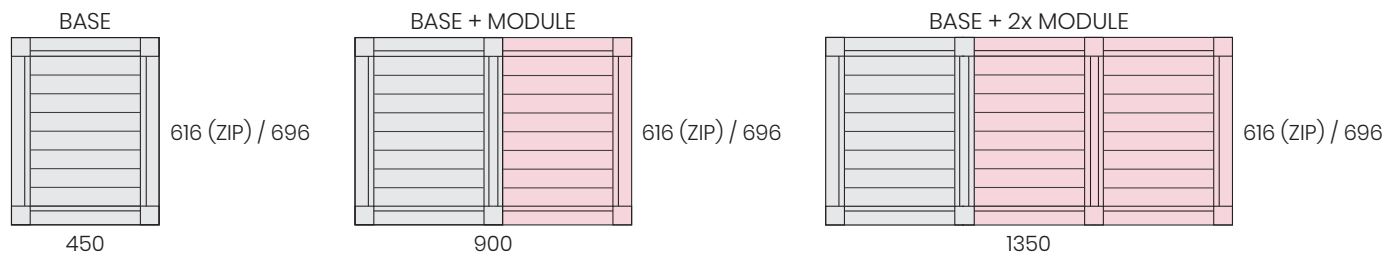
UNPAINTED STAINLESS STEEL

PROJECTION TABLE (cm)

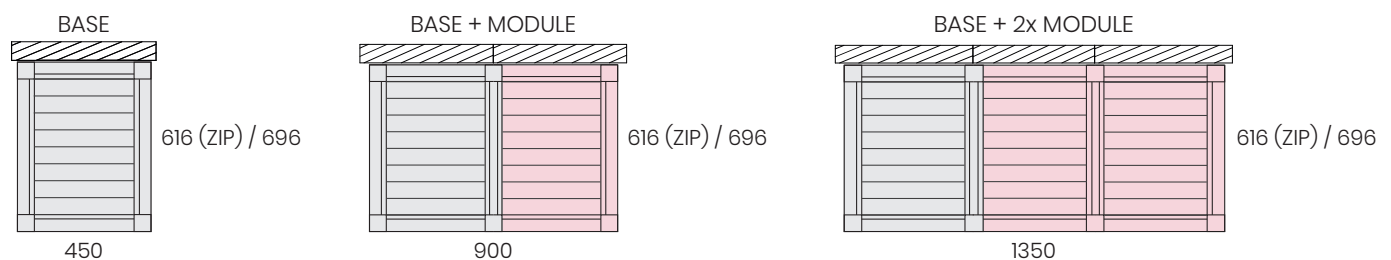
116	136	156	176	196	216
236	256	276	296	316	336
356	376	396	416	436	456
476	496	516	536	556	576
596	616	636	656	676	696

Model: TECHNIC PRO (PAVILON / TENDE), TECHNIC PRO (GARDENA),
TECHNIC PRO (GARDENA - LOUVRES PERPENDICULAR)

TECHNIC PRO (PAVILON / TENDE)



TECHNIC PRO (GARDENA)



TECHNIC PRO (GARDENA LOUVRES PERPENDICULAR)

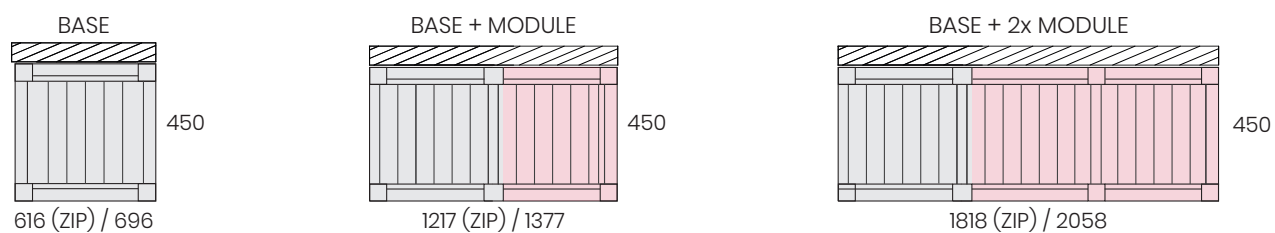


TABLE FOR THE SNOW LOAD WITHOUT WIND PRESSURE FOR A STRUCTURE STANDING ON 4 PILLARS (kg/m²)

projection (cm)	number of louvres	width (cm)						
		220	270	295	330	365	400	450
200	9	620	490	350	290	180	150	120
300	14	590	450	310	190	160	150	120
400	19	450	430	290	180	170	140	120
500	24	420	340	250	165	160	120	120
600	29	240	220	165	130	130	120	120

Colours

9010 white
9010ST white structured
9007ST grey structured
7016ST anthracite structured

Any RAL colour
Wood-like varnish

Controls

Motor

24 V DC Wired motor with power supply 150 W

Controls TELECO

24V DC radio control unit for 1 motor

Optional sensors:

- * wind
- * rain
- * temperature
- * combination of temperature & rain sensors to detect snow

24 V DC radio control unit for 1-2 motors, integrated with LED receiver (max. 75 pc LED spotlights)

Optional sensors:

- * wind
- * rain
- * temperature
- * combination of temperature & rain sensors to detect snow

Additional 150 W power supply

Remote control TELECO

42 channel remote control, white / black

63 channel remote control, white / black

Sensors

Wind

Rain

Temperature

Rain and temperature sensors to detect snow

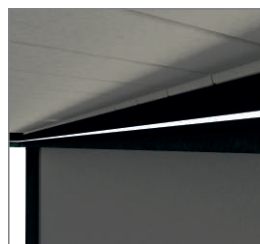
Lighting



LED lighting - spotlights

LED spotlights

Min. 8 LED spotlights on whole construction, min. 3 LED spotlights on a louvres.



LED lighting - LED strip lights, integrated with the gutter

LED strip 8W - White

LED strip RGB 8W

Controller white/RGB TELECO up to 28 m (max. 4 pc LED strip)

Power supply up to 18 m

Power supply from 18-36 m



LED lighting - tubes 3x12,5 cm in louvres

LED tube in the louvres

Controller white TELECO up to 25 spotlights

Min. 4 LED tubes in the structure, min. 2 tubes in the louvres.



LED lighting - tubes 1x50 cm in louvres

LED tube in the louvres

Controller white TELECO up to 25 spotlights

Min. 4 LED tubes in the structure.

Audio System TELECO

Audio controlled via Bluetooth

Speaker 25 W

The speakers are built into the frame, diameter 10 cm. Works with the Audio Bluetooth control system.

Smartphone control

NEW

DAISY TELECO

Infrared heaters

power

Infrared heater GR1 - controlled by a switch with a LOW GLARE emitter that generates less light, water-tight class IP65, colour: white or black, usually controlled by a wall switch. For external use.*

1,5 kW

Infrared heater GR2 IR - a infrared heater with a built-in infrared receiver, remote control and a LOW GLARE emitter that releases less light. Water-tight class IP65, colour white or black, controlled by an infrared remote control (in set). For external use.

1,5 kW

Additional infrared remote control

Radio receivers for infrared heaters GR1

*Control Unit for 1-2 infrared heaters 3 kW

Gr1 infrared heater can be operated by TELECO 42-channel remote control on/off. No heat adjustment.

Radio Control unit for ZIP

Radio control unit 230 V for 1 motor

Radio control unit up to 4 motors (optional sensor: wind)

Socket 230 V



Contact:

phone: +48 607 189 400

+48 502 342 842

e-mail: export@tarasola.com

www.tarasola.com